



NAUTA[®]

FLEXIBLE TANKS AND FITTINGS

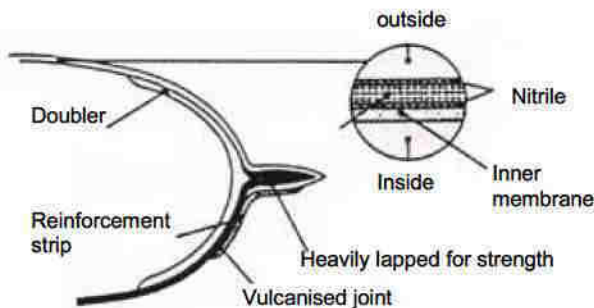


THE FLEXIBLE TANK

The technique of storing and transporting liquids through the use of flexible tanks has many advantages :

- lightness
- handiness
- adaptability
- fiability

NAUTA® FLEXIBLE TANKS provide many advantages over rigid tanks and have therefore, become very popular with both yacht-builders and boat owners.



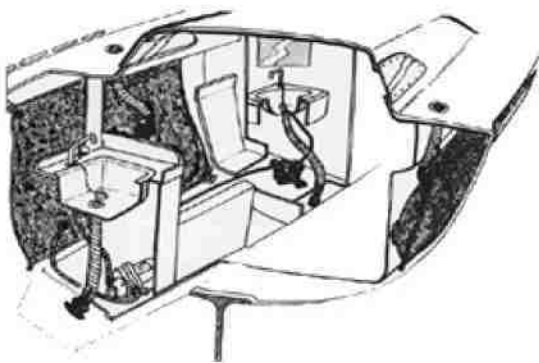
Each of these tanks uses an extremely rugged 935-dtex nylon fabric, coated on both sides with a neoprene / nitrile compound. Heavily lapped seams are inside-reinforced with a "doubler" to provide extra strength. All NAUTA® tanks are vulcanised to assure leakproof panels and seams for years of trouble-free service.

All are covered by a warranty

Because of their flexibility and the NAUTA® range of sizes, these tanks can fit into almost any space, especially those odd-shaped places that would otherwise be wasted.

NAUTA® tanks are very easy to work with. Several for water and holding are available with fittings already installed. But NAUTA® 's construction allows custom placement of fittings to suit your particular requirements and makes it simple to install them (see fittings).

FOR WATER



Our most popular application is also the easiest way to increase or replace water capacity on boats whose tank is inadequate or deteriorated.

NAUTA® flexible water tanks use an exclusive Tedlar™ inside lining to maintain a taste-free system most PVC, fiberglass, other plastics and metal contribute a distinct, unpleasant flavour to fresh water, Tedlar™ does not. No venting is required for water tanks; only a fill pipe and a simple draw line to head and / or gallery pumps.

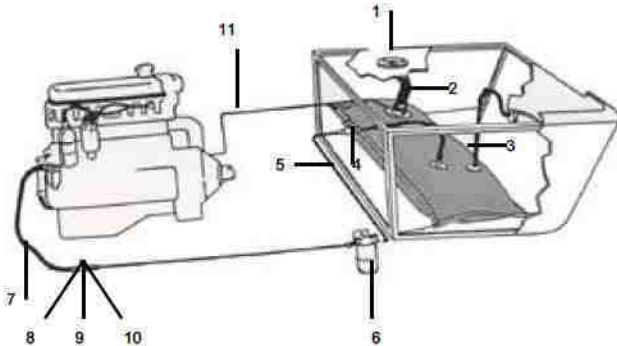
5 years warranty coverage.

These tanks are also popular among some sailors who use them as ballast tank, knowing that the contents can also be used for emergency drinking water.

NAUTA Flexible Tanks

FOR DIESEL

BIG CAPACITY GAS TANK



- | | |
|---------------------|------------------------|
| 1. Deck plug filler | 7. Flexible fuel line |
| 2. Filler tube | 8. fuel line bracket |
| 3. Vent | 9. fuel line connector |
| 4. Valve | 10. Bolt |
| 5. Fuel line | 11. Earth |
| 6. Fuel Filter | |

(example of installation for a gasoline engine)

NAUTA® flexible gas tanks can dramatically extend the range of powered sail and motor boats. They can be deck or cockpit mount to gravity feed (or be hand-pumped) to tankage below decks. And, when empty, these tanks can be rolled up and stowed.

Sport and commercial fishermen heading into offshore waters and cruisers visiting remote ports (where refuelling may be unavailable or of suspect quality) will find these NAUTA® tanks an ideal, low cost solution.

NAUTA® gas tanks of 200 litres capacity and larger are supplied with adjustable hold-down straps with D-rings. Two N.P.T brass fittings allow this system allow this system to connect with conventional fuel line.

1 year warranty coverage

PORTABLE GAS TANK



NAUTA® flexible portable tanks are a remarkable improvement over the traditional painted metal tanks. Perhaps the most noticeable change : they do not live rust rings on the floorboards or cockpit sole.

These roll-up when empty tanks offer convenience in use and in stowage. They are also more comfortable to carry than most rigid tanks. They do not rust, will not scrape your paint, are easier to tie down and do not rattle when you are underway.

1 year warranty coverage



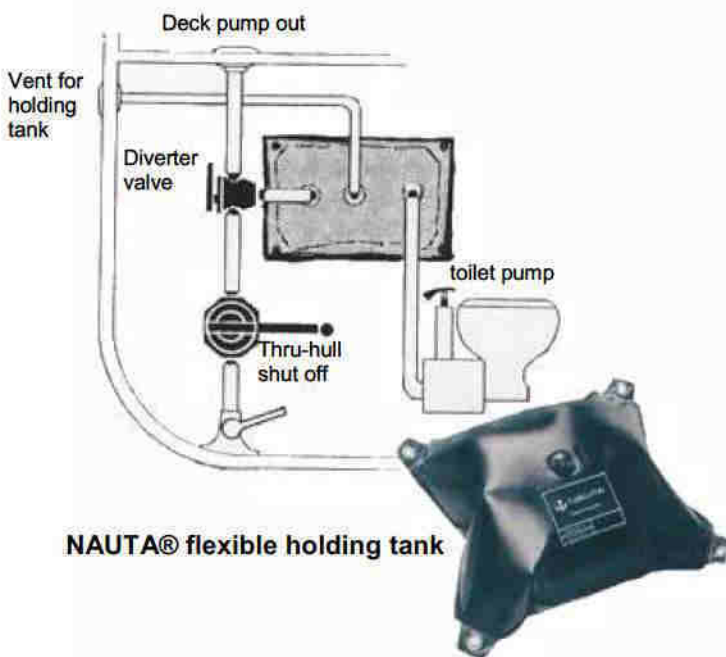
Boulevard de l'Eurozone 102
7700 Mouscron
Belgique
Web site : www.orca.eu

Tel : 32 56 39 21 00
Fax : 32 56 39 21 39

E- mail : info@orca.eu

NAUTA Flexible Tanks

FOR HOLDING : A SOLUTION FOR POLLUTION



NAUTA® flexible holding tank

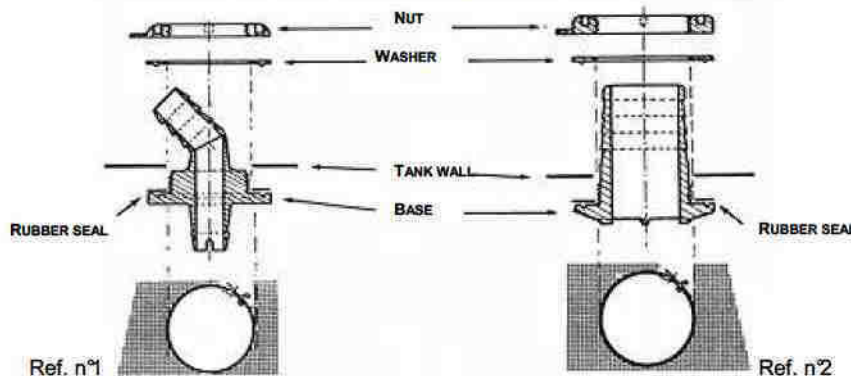
The more rigorously enforced laws against overboard discharge now make non-compliance extremely costly. A NAUTA® flexible holding tank, on the other hand, provides a relatively inexpensive Type III solution. In addition, the Teldar™ lining of these NAUTA® tanks prevents gas permeation, thus stopping a major odour problem with many other holding tanks. Combined with a few other components, this solution is both legal and far less costly than replumbing a vessel or installing a more complex and expensive Type I or Type II system : it occupies less space and requires no electrical power.

1 year warranty coverage

(the illustrated example would allow those travelling into unrestricted waters to pump overboard.)

FITTING THE CONNECTIONS

- Fitting of the connection is generally made on the same side of the tank.
- The position of the nipple will be so that there will be a minimum margin of 100 mm between the connection and the edges of the tank.
- Use the washer (see drawing) to mark out the circumference of the hole to be made in the support. **Its dimension must be the one of the washer inside.**
- Then cut with scissors the marked out hole and take care to separate the two walls of the tank in order to avoid to damage the opposite wall when cutting. it is also necessary to take care not to make a hole of a bigger diameter than the one made in ref. 2.
- Bring the edges of the hole nearer by pinching the fabric and introduce the base of the nipple as a button in a button-hole.
- Place the washer with the edge on fabric side (in order to ensure the imperviousness) and then the screw ring.
- Tighten the ring with the wrench.
- Check the tightening periodically and in particular some days after the fitting installation.



Boulevard de l'Eurozone 102
 7700 Mouscron
 Belgique
 Web site : www.orca.eu

Tel : 32 56 39 21 00
 Fax : 32 56 39 21 39

E- mail : info@orca.eu



INSTALLATION TIPS

It is advisable to install your NAUTA® flexible tank in a small "berth" which will help to insure its protection against sharp objects. This berth prevents abnormal wearing from abrasion.

Figure hose lengths with tank empty, and allow sufficient slack.

Use grommets for positioning only, not for supporting a loaded tank. When securing, it is important to remember that tanks expand when loaded; a loose fit in the deflated state or elastic tie-downs will work best.

ADDITIONAL FITTINGS

We have designed a comprehensive range of nylon fittings to be used only on NAUTA® tanks. Each type of fittings is composed of 3 parts which ensure together with the rubber seal and the rubber coated fabric a complete tightness. The necessary fitting for self-installation at the most suitable location on the tank wall. Generally, vent fittings are required on holding or gas tanks (not required on water), should be positioned at the higher end of the tank, while draw fittings are best located at the lower end. Under no condition should fittings be installed on the bottom side of the tank. All fittings should be installed on the bottom side of the tank. All fittings should be installed in the top half of the tank and not closer than 4" to the edge and not through a seam doubler.

MAINTENANCE

NAUTA® flexible tanks used for drinking water will operate more satisfactory if the following procedures are observed. Before putting in use for the first time, partly fill the tank with warm water (50°C) and a 1% solution of mild detergent. After a few minutes, rinse with clear water and fill it again with water treated with chlorine tablets (follow package instructions for a 5% concentration). Empty after 2 hours and carefully and thoroughly rinse with clear water. These cleaning operations should be performed with the system fully installed so that all the piping undergoes the same treatment.

When the tank will not be used for a long period (winter layup...), keep it partly filled with water and 10% of chlorine solution. Because it is not possible to completely evacuate the tank, this procedure best prevents the development of micro-organisms which could coat the inside and contribute to a bad taste in water.

Before returning the tank to service, follow the same procedure as used with a new tank. Even if using your tank constantly, this cleaning operation is recommended at 6 months interval. Do not forget that the pipes also contribute to the water's taste and should be involved in the regular cleaning process.



Boulevard de l'Eurozone 102
7700 Mouscron
Belgique
Web site : www.orca.eu

Tel : 32 56 39 21 00
Fax : 32 56 39 21 39

E- mail : info@orca.eu



NAUTA

Flexible Tanks

NAUTA® - Tanks for fresh water and drinking water		
Reference	Capacity (L / Gal.)	Dimension (cm)
NAUTA® 911 120	55 / 14 ½	67 * 62
NAUTA® 911 150	90 / 23 ½	67 * 85
NAUTA® 911 160	135 / 35 ½	67 * 115
NAUTA® 911 170	260 / 68 ½	83 * 139
NAUTA® 911 180	200 / 52 ½	67 * 158
NAUTA® 520 210	150 / 39 ½	110 * 152 * 152

NAUTA® - Gas Tanks & used water holding tanks		
Reference	Capacity (L / Gal.)	Dimension (cm)
NAUTA® 915 120	55 / 14 ½	69 * 64
NAUTA® 915 150	95 / 25	69 * 87
NAUTA® 915 160	140 / 37	69 * 117
NAUTA® 915 180	200 / 52 ½	69 * 160

NAUTA® - Gas Tanks & used water holding tanks (Large Capacity)		
Reference	Capacity (L / Gal.)	Dimension (cm)
NAUTA® 945 621	300 / 80	139 * 127
NAUTA® 945 622	470 / 125	139 * 151
NAUTA® 945 623	600 / 160	139 * 173
NAUTA® 945 624	750 / 200	139 * 204
NAUTA® 945 625	1000 / 265	139 * 256
NAUTA® 945 626	1150 / 300	139 * 278
NAUTA® 945 627	1325 / 350	139 * 320
NAUTA® 945 628	1500 / 400	139 * 362
NAUTA® 945 630	1600 / 422	139 * 382
NAUTA® 945 629	2000 / 530	139 * 466

NAUTA® - Portable Gas Tanks for Outboard Motors		
Reference	Capacity (L / Gal.)	Dimension (cm)
NAUTA® 521 100	25 / 6	42 * 23 * 25
NAUTA® 521 101	35 / 9	42 * 32 * 25
NAUTA® 521 102	50 / 13	42 * 45 * 25
NAUTA® 521 103	70 / 18	42 * 61 * 25
NAUTA® 521 151 IT	35 / 9	73 * 45 * 35 * 17
NAUTA® 521 153 IT	70 / 18	73 * 45 * 35 * 30



Boulevard de l'Eurozone 102
7700 Mouscron
Belgique
Web site : www.orca.eu

Tel : 32 56 39 21 00
Fax : 32 56 39 21 39

E- mail : info@orca.eu



RESERVOIRS SOUPLES
FLEXIBLE TANKS

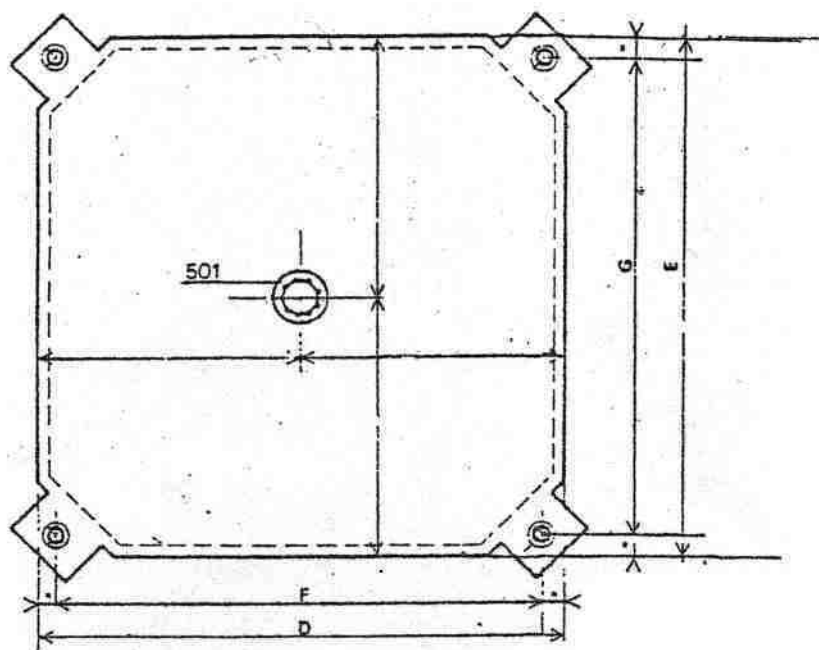
RESERVOIRS EAU DOUCE, EAU POTABLE OU EAU USEE

FLEXIBLE TANKS FOR FRESH WATER, DRINKING WATER OR HOLDING WATER

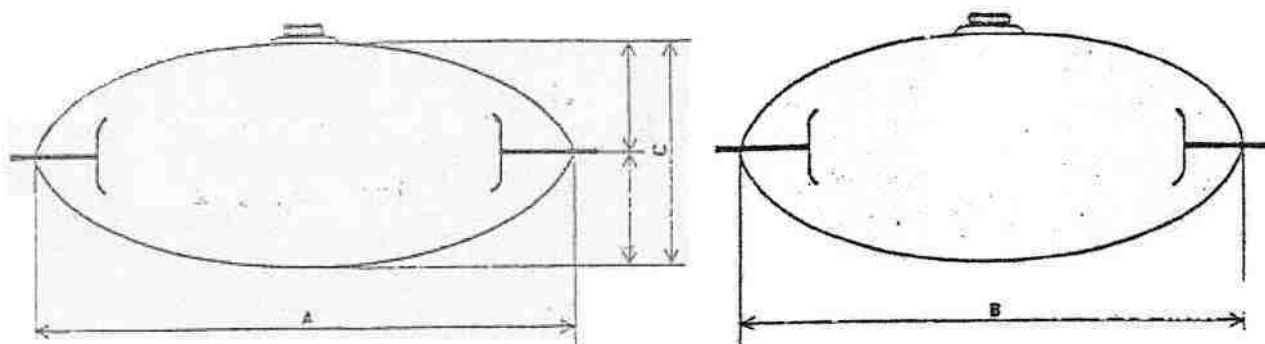


RESERVOIRS POUR EAU FLEXIBLE WATER TANKS

RESERVOIR VIDE (EMPTY TANK)



RESERVOIR PLEIN (FULL TANK)



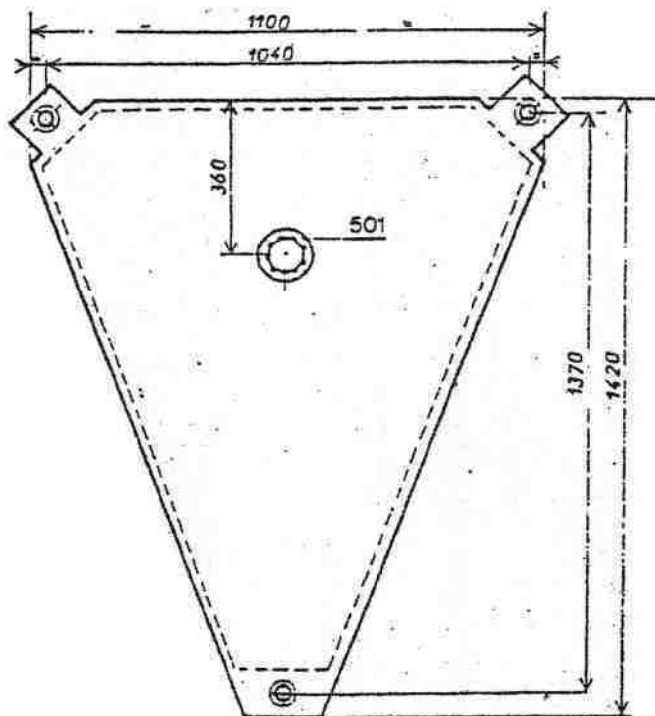
REFERENCE	CAPACITY	A (mm)	B (mm)	C (mm)	D (mm)	E (mm)	F (mm)	G (mm)
911 120	55 liters	610	560	300	680	630	630	580
911 150	90 liters	780	600	360	850	670	800	620
911 160	135 liters	1060	600	360	1160	680	1110	630
911 170	260 liters	1320	760	470	1400	850	1350	800
911 180	200 liters	1560	600	390	1590	680	1540	630



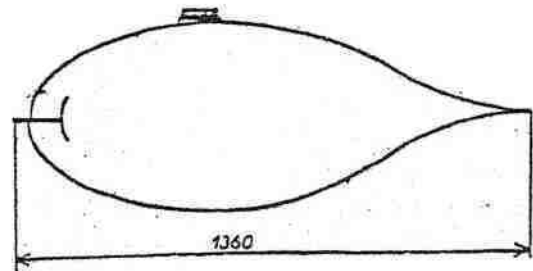
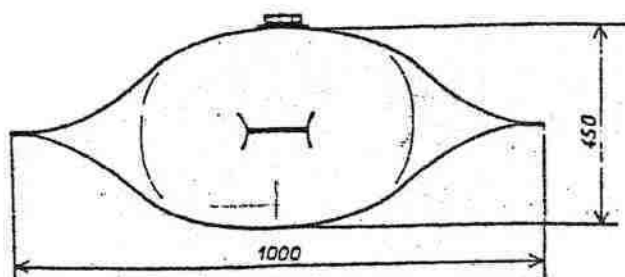
RESERVOIRS POUR EAU FLEXIBLE WATER TANKS

REFERENCE 520 210
CAPACITY 150 LITRES

RESERVOIR VIDE / EMPTY TANK



RESERVOIR PLEIN / FULL TANK



Dimension : MM



RESERVOIRS SOUPLES
FLEXIBLE TANKS

RESERVOIRS POUR CARBURANTS ET LUBRIFIANTS

TANKS FOR DIESEL AND OIL